

# Recycled pallets

## 1200 x 800 – 1200 x 1000

### Industrial Pallet

Tough and versatile, the Industrial Recycled Pallet is ideal for racking light loads, compatible with a wide range of conveyors and built to withstand intensive use.

Pallet loading for Industrial Recycled Pallet – for evenly distributed load:

- dynamic: up to 1.0 tonne
- static: up to 4 tonnes
- racking: up to 700 Kg  
(depending on type and configuration of load)



**1 Ref. 3P302**  
pallet with 3 runners  
semi-solid deck with 6mm collar  
Dim.: L 1,200 x w 800 x h 160mm  
Dim.: L 47.2 x w 31.5 x h 6.3"  
Wt: 21 Kg/46 lbs.  
Colour: light grey  
For use in temperatures from 0° to +40°C



**2 Ref. 3P300**  
pallet with 3 runners  
semi-solid deck  
Dim.: L 1,200 x w 800 x h 160mm  
Dim.: L 47.2 x w 31.5 x h 6.3"  
Wt: 21 Kg/46 lbs.  
Colour: light grey  
For use in temperatures from 0° to +40°C

### Shipping Pallet

Manufactured in recycled high density polyethylene, the Shipping Pallet provides a light weight low cost alternative to timber pallets. Ref. 3D003 nests by 70%, saving valuable space on return transport.

Pallet loading for Industrial Recycled Pallet – for evenly distributed load:

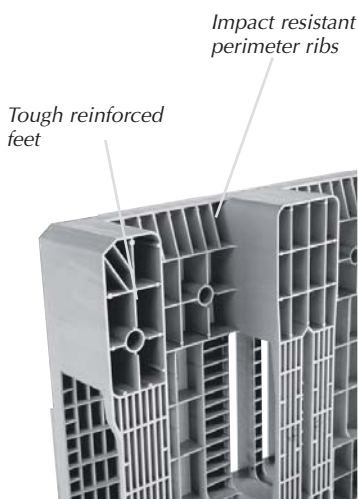
- dynamic: up to 350 tonne
- static: up to 700 Kg  
(depending on type and configuration of load)



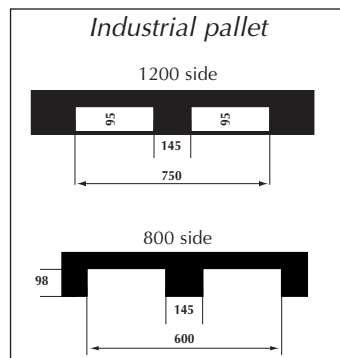
**3 Ref. 3D003**  
pallet with 9 feet  
ventilated deck with 5mm collar  
Dim.: L 1,200 x w 800 x h 144mm  
Dim.: L 47.2 x w 31.5 x h 5.7"  
Nested height: 45mm / 1.8"  
Wt: 7.8 Kg/17.2 lbs.  
Colour: dark grey  
Supplied in quantities of 50 pallets



**4 Ref. 3D303**  
pallet with 3 runners  
ventilated deck with 5mm collar  
Dim.: L 1,200 x w 800 x h 162mm  
Dim.: L 47.2 x w 31.5 x h 6.4"  
Wt: 11.0 Kg/24.2 lbs.  
Colour: dark grey



Dimensions in mm.



Stack of 50 nested pallets (ref. 3D003).

